

# HA3615G Brief

Version 1.00, Sep. 2025

成都华曜芯科技股份有限公司



华曜芯

— CSCT-MICRO —

# 1 Features

## System

- 32-bit high performance CPU with DSP instruction
- Internal 2M bit flash
- Support 26MHz oscillator with on-chip PLL

## Bluetooth

- Compliance with Bluetooth5.4, compatible with Bluetooth 5.0/4.2/4.0 LE system
- Max transmitting output power: 9dBm
- Receiver sensitivity: -94dBm@LE 1M
- Support low latency profile
- LE Data Packet Length Extension
- BQB declaration ID: D068793

## Audio Processing

- Support SBC, MP3, WAV audio decode and SBC, MP3, wav-adpcm encode
- Internal packet loss concealment (PLC) for voice processing
- Internal multi-band DRC limiter
- Fully configurable PEQ, up to 12 bands
- Support ALC & ANS for microphone
- Support advanced DSP audio effect
- Support karaoke audio effect: Echo, Reverb, Voice Cancellation, Pitch, Howling etc.

## PMU

- Support Li-Ion battery power supply
- Support power-on key
- Less than 2uA in Power-Off mode

## Audio Codec

- One channel 16-bit sigma-delta DAC, One channel 16-bit sigma-delta ADC
- support sample rate of 8k/ 11.025k/ 12k/ 16k/ 22.05k/ 24k/ 32k/ 44.1k/ 48k
- Mono PA supports single-end mode
- Support one AUX input
- Support SPDIF RX/TX

## Peripherals

- Three 32-bit timers, one watch dog timer
- RTC timer support calendar
- SD card host interface
- USB2.0 FS OTG controller
- IR receiver
- Support QDEC, PWM & breathing LED
- Three UARTs up to 3Mbps
- I2C supports master or slave
- 16-channel 10-bit SARADC
- Programmable GPIO with interrupt input

## Package

- QNF20 (3x3)

## Temperature

- Operating temperature: -10°C to +70°C

## 2 Pin Definition

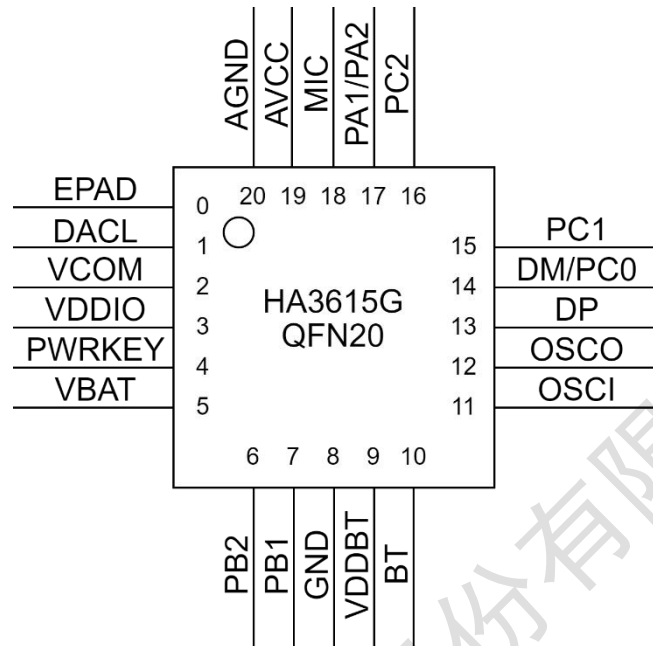


Figure 2-1 HA3615G QFN20 Pin assignment

## 3 Package Information

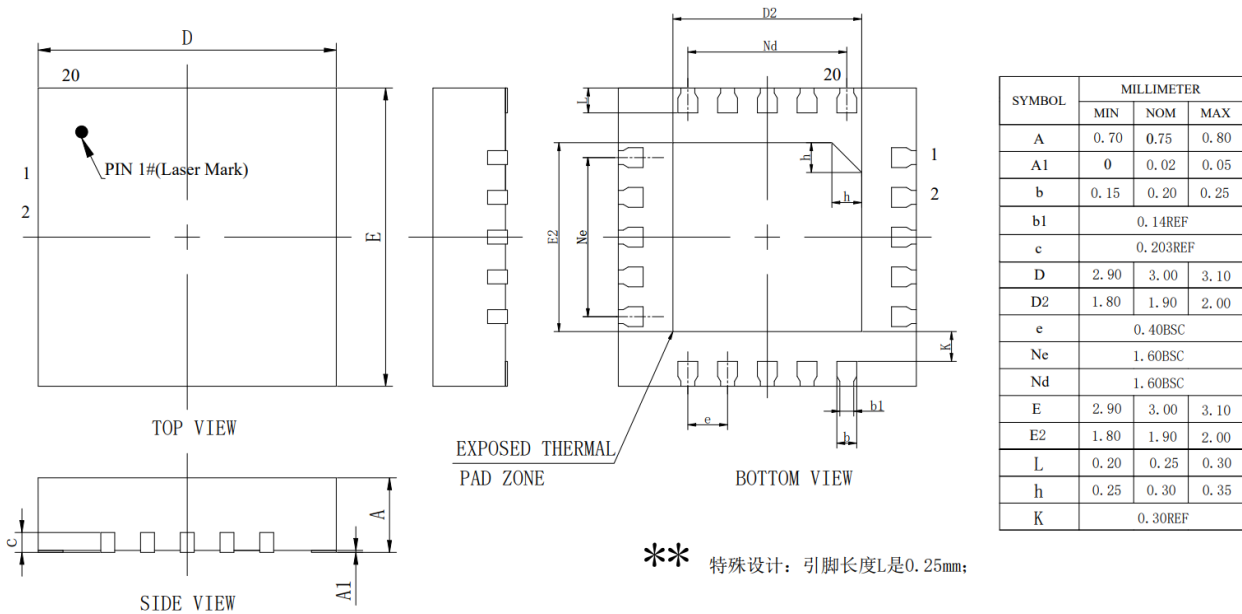


Figure 3-1 HA3615G QFN20 Package



## **Contact us**

Chengdu CSCT-MICRO Technology Co., LTD

**Address:** Chaotu Chengdu Building, Xinchuan Road, High tech Zone, Chengdu City

**E-mail :** [support@csct-micro.com](mailto:support@csct-micro.com)

**Website:** [www.csct-micro.com](http://www.csct-micro.com)

成都华曜芯科技股份有限公司